

INSTRUCTION SHEET

HG2G Mounting Adapters

MICRO/I™ HG2G SERIES

Confirm that the delivered product is what you have ordered.
Read this instruction sheet to make sure of correct operation.
Make sure that the instruction sheet is kept by the end user.

SAFETY PRECATIONS

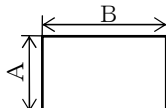
CAUTION

Caution notices are used where inattention might cause personal injury or damage to equipment.

1 TYPE NO. DEVELOPMENT

HG9Z-2A□

□ : Panel cut-out code

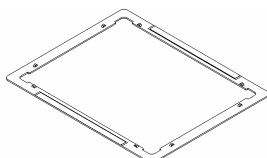


TYPE NO.	Dimension A	Dimension B	Panel thickness	Applicable panel cut-out
HG9Z-2A1	126.5 ^{+0.5} ₋₀	162.5 ^{+0.5} ₋₀	1.6~3	HG2F panel cut-out
HG9Z-2A2	123.5 ⁺¹ ₋₀	156 ⁺¹ ₋₀	1.6~4.3	-

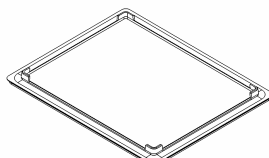
Unit (mm)

2 PACKING CONTENT

TYPE NO.	Product Name	Qt.
HG9Z-2A1	Mounting Frame	1
	Mounting Gasket	1
HG9Z-2A2	Mounting Gasket	1



Mounting Frame



Mounting Gasket

Attachment: Instruction sheet (this sheet)

3 SPECIFICATIONS

Degree of Protection	IP65 (In the front of panel attachment)
Material	Mounting Frame: SPCC (Trivalent chromating) Adhesive tape: Double sided adhesive tape Mounting Gasket: NBR+EPDM (Color: Light-gray)
Weight (Approx.)	Mounting Frame: About 56 g Mounting Gasket: About 9 g

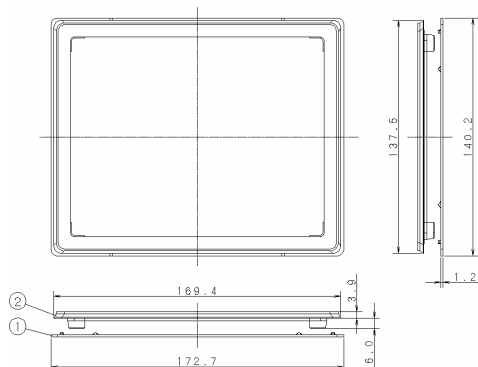
4 NOTES FOR OPERATION

- For confirmation about the environmental specifications and the operating environment for installation, see the HG2G Instruction Manual.
- Wipe any stain off the display using a soft cloth slightly dampened with neutral detergent or alcoholic solvent. Do not use solvents such as thinner, ammonia, strong acid, and strong alkaline.
- Regularly check that all mounting clips and screws are tightened sufficiently. If the mounting clips are loose, tighten the screws to the recommended tightening torque.

CAUTION

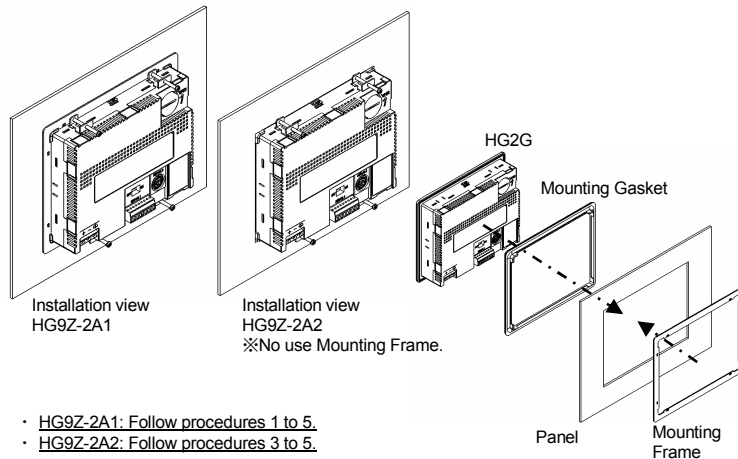
- When mounting the HG2G in a panel, see the HG2G Instruction Manual.
- Incorrect handling of the HG2G will result in falling, failure, electrical shock, fire hazard, or malfunction.
- When disposing of the HG2G, do so as an industrial waste.

5 OUT LINE DRAWING



① Mounting Frame
② Mounting Gasket

6 INSTALLATION



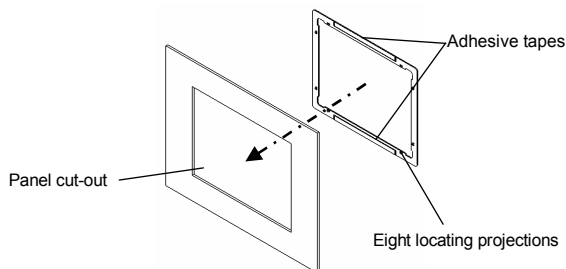
Installation view
HG9Z-2A1

Installation view
HG9Z-2A2
※No use Mounting Frame.

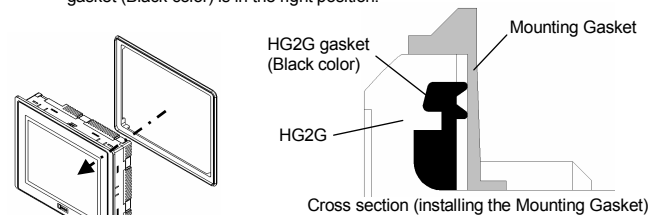
- HG9Z-2A1: Follow procedures 1 to 5.
- HG9Z-2A2: Follow procedures 3 to 5.

Procedure 1. Before installing the Mounting Frame to the panel, wipe any stain off the panel.

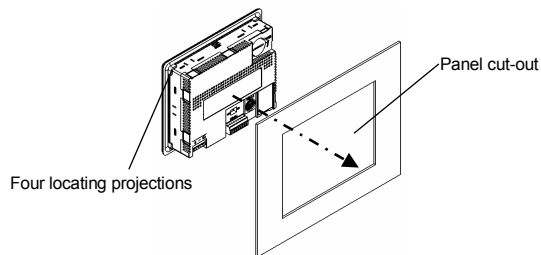
Procedure 2. Remove the release papers from the adhesive tapes on the Mounting Frame. Install the Mounting Frame from the rear of the panel to fit all eight locating projections on the Mounting Frame into the panel cut-out.



Procedure 3. When installing the Mounting Gasket to the HG2G, make sure that the HG2G gasket (Black color) is in the right position.



Procedure 4. Install the HG2G from the front of the panel to fit all four locating projections on the Mounting Gasket into the panel cut-out without any twists in the Mounting Gasket.



Procedure 5. Fasten with the attached four mounting clips (included with the HG2G) at four places to a specified torque of 0.12 to 0.17 N·m (recommended torque: 0.14 N·m) uniformly. After fastening the four mounting clips, make sure that the Mounting Gasket is not twisted and floated.

CAUTION

- Do not deform the Mounting Frame. If the Mounting Frame is deformed, the HG2G is not in the right position, impairing the waterproof characteristics.
- If the Mounting Frame is installed obliquely to the panel, the HG2G is not in the right position, impairing the waterproof characteristics.
- Any twists in the HG2G gasket and the Mounting Gasket will impair the waterproof characteristics.
- When installing the HG2G, do not apply any excessive force to the Mounting Frame. Otherwise the Mounting Frame is dislocated obliquely to the panel or fall, impairing the waterproof characteristics.
- Do not move the HG2G while installed in the panel, otherwise the Mounting Gasket may be twisted and the waterproof characteristics may be impaired.
- Do not tighten the mounting clips obliquely to the panel or excessively, otherwise the HG2G may warp and cause wrinkle on the display, or the waterproof characteristics may be impaired.