

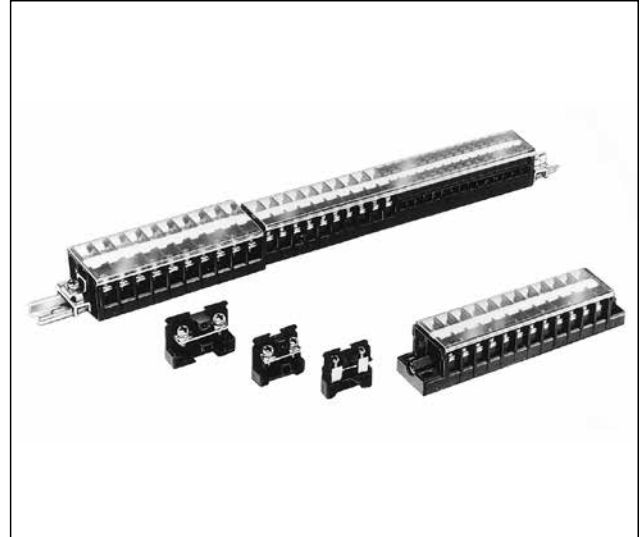


BD Series Terminal Blocks

Space-saving miniature terminal blocks. Surface mount and DIN rail mount available.

- Surface mount terminal blocks available.
- Rail mount can be mounted on 15-mm-wide DIN rails.
- BD8 rail mount available in black or blue color.
- Flame-resistant plastic (UL94V-0).
- Can be mounted on the rail easily.
- Space-saving low profile style
- Safe robust construction
- Complies with JIS C 2811.
- UL recognized and CSA certified.

| Applicable Standards | Mark | Certification Organization/ File No. |
|----------------------|---|--------------------------------------|
| UL1059 |  | UL recognized File No. E78117 |
| CSA 22.2 No. 158 |  | CSA (File No. LR64803) |



Rail Mount

| Terminal centers | Terminal Shape | Part No. | Ordering No. | Housing Color | Wire Size | Package Quantity |
|------------------|----------------------------------|----------|--------------|---------------|--|------------------|
| 8 mm | M3 screw (self-lifting) | BD8-RB | BD8-RBPN50 | Black | 1.25 mm ² (2 mm ²) * | 50 |
| | | BD8-RS | BD8-RSPN50 | Blue | | 50 |
| | M3 screw / solder (self-lifting) | BD8S-RB | BD8S-RBPN50 | Black | | 50 |
| | | BD8S-RS | BD8S-RSPN50 | Blue | | 50 |
| 7 mm | M3 screw (self-lifting) | BD7-RB | BD7-RBPN50 | Black | | 50 |
| 5 mm | M3 cage screw | BDK5-RB | BDK5-RBPN50 | Black | 1.25 mm ² | 50 |

* The applicable rated wire size is 1.25mm², but 2mm² wire can also be connected.
The wire size in () does not comply with JIS standards.

Accessories

| Part No. | Accessories (sold separately) | | | | | |
|----------|-------------------------------|------|------------|---------------|----------|-----------------|
| | End Plate | Rail | Dust Cover | Marking Strip | End Clip | Terminal Jumper |
| BD8-R | x | x | ○ | | x | ○ |
| BD8S-R | x | x | ○ | ○ | x | ○ |
| BD7-RB | x | x | ○ | ○ | x | ○ |
| BDK5-RB | x | x | ○ | ○ | x | — |
| | 50 | | | 51 | | |
| | Page | | | | | |

- x: Accessories needed when mounting terminal blocks. Order separately.
- : Order if necessary.
- Order a dust cover, marking strip (fiber), and jumper when necessary (see page 50 and 51).

Tightening Torque for Terminal Screw

For safe use of the terminal blocks, tighten the screw as shown below.

| | |
|-------------------------------|----------------|
| Terminal Screw | M3 |
| Recommended Tightening Torque | 0.6 to 1.0 N·m |

Material

| Parts Name | Material |
|---------------------------------|------------------------------|
| Housing | Modified PPE |
| Terminal Metal Part | Brass (nickel-plated) |
| Terminal Metal Part (BD8S only) | Brass (tin-plated) |
| Terminal Screw | Steel (zinc chromate-plated) |

BD Series Terminal Blocks

Surface Mount

| Terminal centers | Terminal Shape | Part No. (□: No. of Poles) | Housing Color | No. of Poles | Wire Size |
|------------------|--------------------------------|-------------------------------|---------------|--------------|----------------------------|
| 8 mm | M3 screw (self-lifting) | BD8-MB□ | Black | 2 to 35 | 1.25 (2) mm ² * |
| 8 mm | M3 screw/solder (self-lifting) | BD8S-MB□ | Black | 2 to 35 | 1.25 (2) mm ² * |
| 7 mm | M3 screw (self-lifting) | BD7-MB□ | Black | 2 to 40 | 1.25 (2) mm ² * |
| 5 mm | M3 cage clamp | BKD5-MB□ | Black | 2 to 56 | 1.25 mm ² * |

* The rated applicable wire size is 1.25 mm², but 2 mm² wires can also be connected.

Ordering Information

When ordering, specify the Part No. and the number of poles required. Dust covers and marking strips are supplied with terminal blocks.


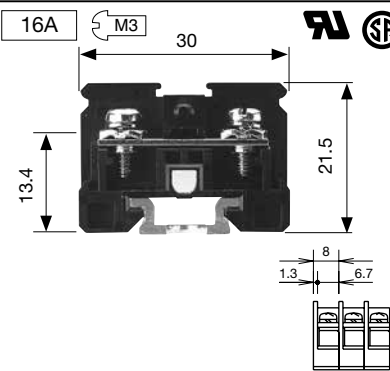
Material

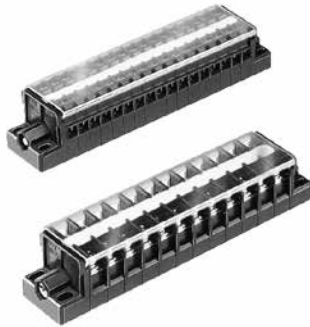
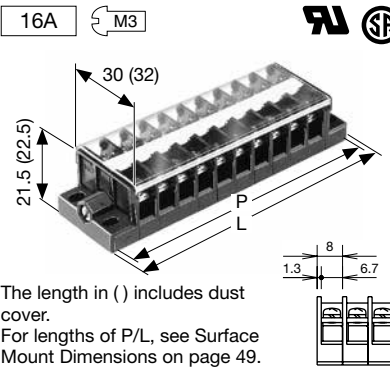
| Parts | Material |
|----------------------------|------------------------------|
| Housing | Modified PPE |
| Terminal Metal Part | Brass (nickel-plated) |
| Terminal Metal Part (BD8S) | Brass (tin-plated) |
| Terminal Screw | Steel (zinc chromate-plated) |

Accessories

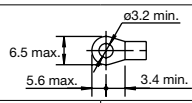
- Dust covers and marking strips are supplied with the terminal block.
- Order jumpers if required (see page 51).

BD Series Terminal Blocks

| Terminal Centers | | 8 mm Terminal Centers | |
|------------------|---|-----------------------|--|
| Rail Mount | Part No. (Specify a color code in place of *.) | BD8-R* (Self-Lifting) | BD8S-R* (Screw / Solder) |
| |  | |  |

| Terminal Centers | | 8 mm Terminal Centers | |
|------------------|--|------------------------|--|
| Surface Mount | Part No. (Specify the no. of poles in place of □.) | BD8-MB□ (Self-Lifting) | BD8S-MB□ (Screw / Solder) |
| |  | |  <p>The length in () includes dust cover. For lengths of P/L, see Surface Mount Dimensions on page 49.</p> |

Specifications


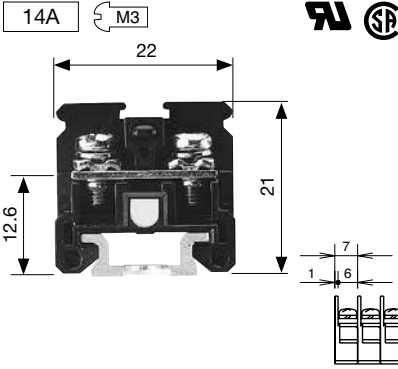
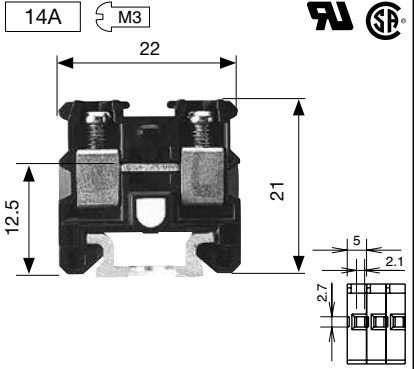
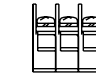
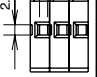
| Standards | | UL/CSA | JIS | UL/CSA | JIS |
|-------------|---|--|---|---|------|
| Ratings | Insulation Voltage | 300V *1 | 400V | 300V *1 | 250V |
| | Rated Current | 15A | 16A | 15A | 16A |
| | Dielectric Strength | 2500V AC, 1 minute | | | |
| | Insulation Resistance | 100 MΩ minimum | | | |
| | Operating Temperature | -25 to +55°C (no freezing) | | | |
| | Storage Temperature | -25 to +70°C (no freezing) | | | |
| | Operating Humidity | 45 to 85% RH (no condensation) | | | |
| Wire Size | 14-20 AWG (solid wire/ stranded wire) | 1.25 mm ² (2 mm ²) *2 | 14-20 AWG (solid wire/ stranded wire) | 1.25 mm ² (2 mm ²) *2 | |
| Others | Terminal Screw | M3 | | | |
| | Crimping Terminal |  | | | |
| | Maximum No. of Crimping Terminals | 2 | | 1 | |
| | Housing Color (color code) | Black (B), Blue (S). Only black available for surface mount terminal blocks | | | |
| | Weight | 4.8g (per pole) | | | |
| Accessories | End Plate (for rail mount) | BDE11* (see page 50) | | | |
| | Rail (for rail mount) | 15-mm-wide DIN Rail | BDA1000 (aluminum) (see page 50) | | |
| | Dust Cover | BDP1000 (steel) (see page 50) | | | |
| | Marking Strip | PVC (glossy surface) | BDC1000 (see page 50) | | |
| | | Fiber Glass (matte surface) | BDM11 (see page 51) | | |
| | End Clip (for rail mount) | BDM12 (see page 51) | | | |
| Jumper | BDL11 (see page 51) | | | | |
| | | BNJ26W, BNJ26WB, BNJ26FW, BNJ26FWB (see page 51) | | | |

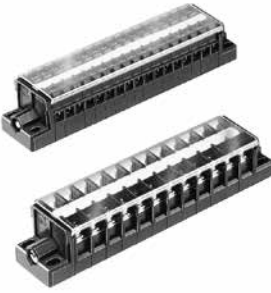
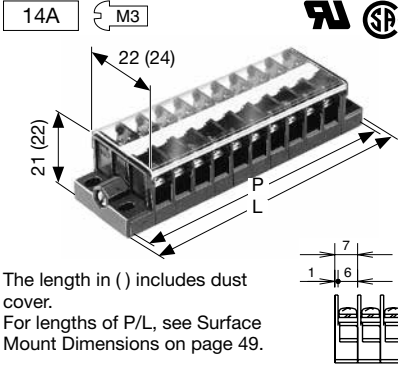
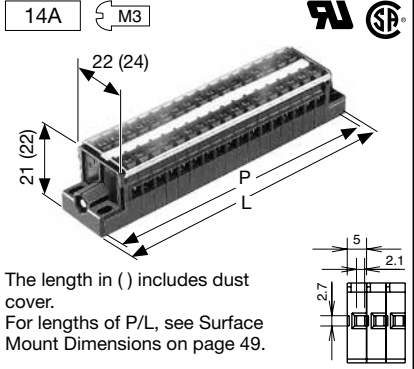
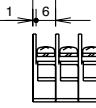
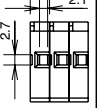
*1: The rated voltage when power is applied is 250V under UL recognition. (Example: Office automation equipment, home electric appliances, facsimile, and other information processing equipment.)

*2: The wire size in () does not comply with JIS standards.

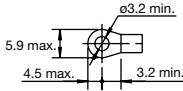
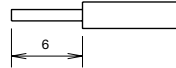
* Color code: B (black), S (blue)

BD Series Terminal Blocks

| Terminal Centers | | 7-mm Terminal Centers | 5-mm Terminal Centers |
|------------------|---|--|---|
| Style | | BD7-RB (Self-Lifting) | BDK5-RB (Cage Clamp) |
| Rail Mount |  |  |  |
| | |  |  |

| Part No. (Specify the no. of poles in place of □) | | BD7-MB□ (Self-Lifting) | BDK5-MB□ (Cage Clamp) |
|--|--|--|---|
| Surface Mount |  |  <p>The length in () includes dust cover. For lengths of P/L, see Surface Mount Dimensions on page 49.</p> |  <p>The length in () includes dust cover. For lengths of P/L, see Surface Mount Dimensions on page 49.</p> |
| | |  |  |

Specifications

| Standards | | UL/CSA | JIS | UL/CSA | JIS |
|---------------------------|--|---|---|--|----------------------|
| Ratings | Insulation Voltage | 300V *1 | 320V | 300V *1 | 250V |
| | Rated Current | 10A | 14A | 10A | 14A |
| | Dielectric Strength | 2500V AC / 1 minute | | | |
| | Insulation Resistance | 100 MΩ or more | | | |
| | Operating Temperature | -25 to +55°C (no freezing) | | | |
| | Storage Temperature | -25 to +70°C (no freezing) | | | |
| | Operating Humidity | 45 to 85% RH (no condensation) | | | |
| Others | Wire Size | 16-20 AWG (solid wire/stranded wire) | 1.25 mm ² (2 mm ² max) *2 | 16-20AWG (solid wire) | 1.25 mm ² |
| | Terminal Screw | M3 | | | |
| | Crimping Terminal |  | | Recommended stripping length of the wire cage  | |
| | Maximum No. of Crimping Terminals | 2 | | 1 | |
| | Housing Color | Black | | | |
| Weight (approx.) | 3.6g (per pole) | | 3.4g (per pole) | | |
| Accessories | End Plate (for rail mount) | BDE12B (see page 50) | | | |
| | Rail (for Rail Mount) | 15-mm-wide DIN Rail | BDA1000 (aluminum) (see page 50) | | |
| | | | BDP1000 (steel) (see page 50) | | |
| | Dust Cover | BDC1000S (see page 50) | | | |
| | Marking Strip | PVC (smooth surface) | BNM8 (see page 51) | | |
| | | Fiber Glass (rough surface) | BNM10 (see page 51) | | |
| End Clip (for rail mount) | BDL11 (see page 51) | | | | |
| Jumper | BDJ10, BDJ10B, BDJ10F, BDJ10FB (see page 51) | | - | | |

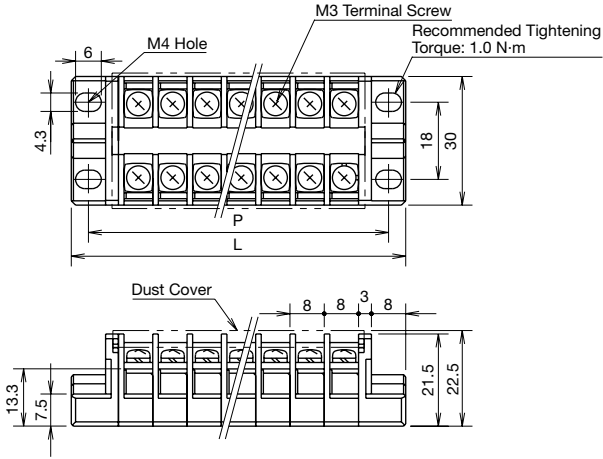
*1: The rated voltage when power is applied is 250V under UL recognition. (Example: Office automation equipment, home electric appliances, facsimile, and other information processing equipment.)

*2: The wire size in () does not comply with JIS standards.

Surface Mount Dimensions

- L (Length of the terminal block) and P (mounting hole centers) are nominal dimensions for each terminal block. Because the terminal blocks are combined together with bolts, there may be differences in the dimensions depending on the number of poles combined.

BD8-MB□ (8-mm Terminal Centers)



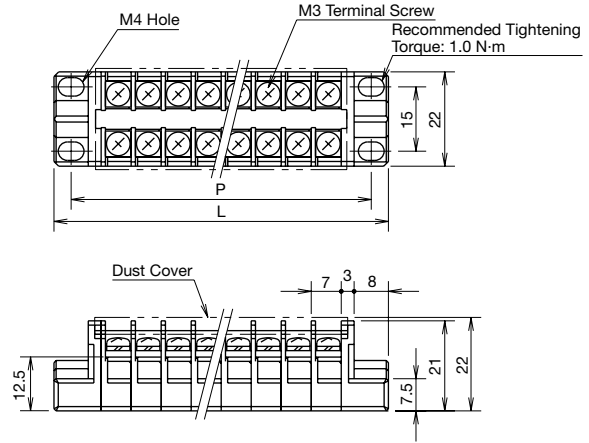
Dimensions L and P (mm)

| No. of Poles | 2 | 3 | 4 | 5 | 6 | 8 | 10 | 12 | 14 | 15 |
|--------------|------|-------|------|-------|------|------|-------|-------|-------|--------|
| L | 37.9 | 45.85 | 53.8 | 61.75 | 69.7 | 85.6 | 101.5 | 117.4 | 133.3 | 141.25 |
| P | 29.9 | 37.85 | 45.8 | 53.75 | 61.7 | 77.6 | 93.5 | 109.4 | 125.3 | 133.25 |

| No. of Poles | 16 | 18 | 20 | 25 | 30 | 35 | Calculation Formula |
|--------------|-------|-------|-----|--------|-------|-------|---------------------------|
| L | 149.2 | 165.1 | 181 | 220.75 | 260.5 | 300.3 | $L = 22 + (7.95n)^{+0.5}$ |
| P | 141.2 | 157.1 | 173 | 212.75 | 252.5 | 292.3 | $P = 14 + (7.95n)^{+0.5}$ |

Weight (per pole): 4.8g (BD8)
n = number of poles

BD7-MB□ (7-mm Terminal Centers)



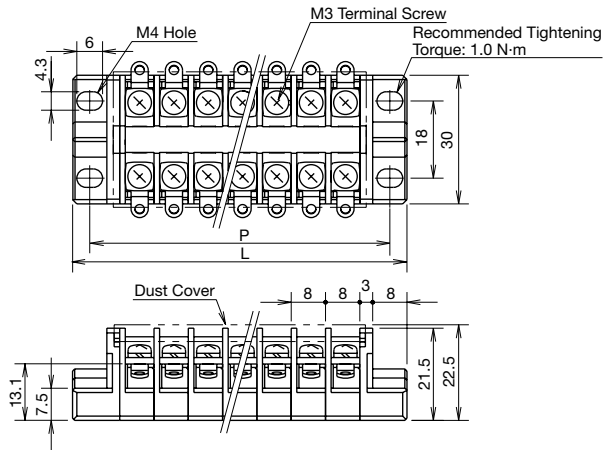
Dimensions L and P (mm)

| No. of Poles | 2 | 3 | 4 | 5 | 6 | 8 | 10 | 12 | 14 | 15 |
|--------------|------|------|------|------|------|------|----|-------|-------|-------|
| L | 35.8 | 42.7 | 49.6 | 56.5 | 63.4 | 77.2 | 91 | 104.8 | 118.6 | 125.5 |
| P | 27.8 | 34.7 | 41.6 | 48.5 | 55.4 | 69.2 | 83 | 96.8 | 110.6 | 117.5 |

| No. of Poles | 16 | 18 | 20 | 25 | 30 | 35 | 40 | Calculation Formula |
|--------------|-------|-------|-----|-------|-----|-------|-----|--------------------------|
| L | 132.4 | 146.2 | 160 | 194.5 | 229 | 263.5 | 298 | $L = 22 + (6.9n)^{+0.5}$ |
| P | 124.4 | 138.2 | 152 | 186.5 | 221 | 255.5 | 290 | $P = 14 + (6.9n)^{+0.5}$ |

Weight (per pole): 3.6g (BD7)
n = number of poles

BD8S-MB□ (8-mm Terminal Centers)



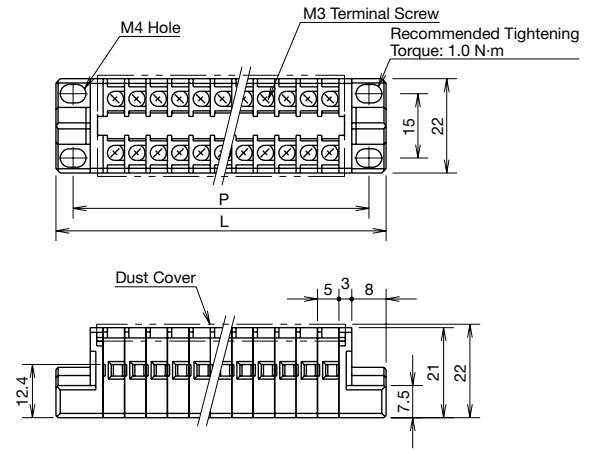
Dimensions L and P (mm)

| No. of Poles | 2 | 3 | 4 | 5 | 6 | 8 | 10 | 12 | 14 | 15 |
|--------------|------|-------|------|-------|------|------|-------|-------|-------|--------|
| L | 37.9 | 45.85 | 53.8 | 61.75 | 69.7 | 85.6 | 101.5 | 117.4 | 133.3 | 141.25 |
| P | 29.9 | 37.85 | 45.8 | 53.75 | 61.7 | 77.6 | 93.5 | 109.4 | 125.3 | 133.25 |

| No. of Poles | 16 | 18 | 20 | 25 | 30 | 35 | Calculation Formula |
|--------------|-------|-------|-----|--------|-------|-------|---------------------------|
| L | 149.2 | 165.1 | 181 | 220.75 | 260.5 | 300.3 | $L = 22 + (7.95n)^{+0.5}$ |
| P | 141.2 | 157.1 | 173 | 212.75 | 252.5 | 292.3 | $P = 14 + (7.95n)^{+0.5}$ |

Weight (per pole): 4.8g (BD8)
n = number of poles

BDK5-MB□ (5-mm Terminal Centers)



Dimensions L and P (mm)

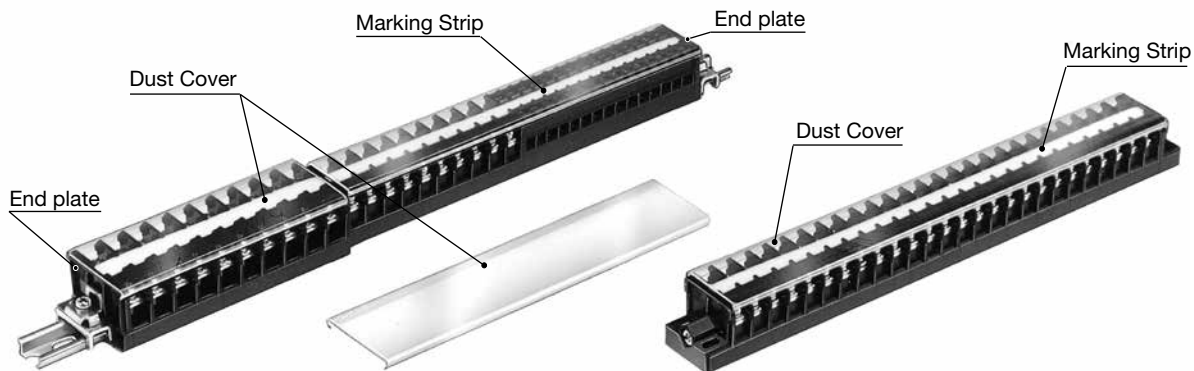
| No. of Poles | 2 | 3 | 4 | 5 | 6 | 8 | 10 | 12 | 14 | 15 |
|--------------|------|------|------|------|------|------|------|------|------|------|
| L | 31.9 | 36.9 | 41.8 | 46.8 | 51.7 | 61.6 | 71.5 | 81.4 | 91.3 | 96.3 |
| P | 23.9 | 28.9 | 33.8 | 38.8 | 43.7 | 53.6 | 63.5 | 73.4 | 83.3 | 88.3 |


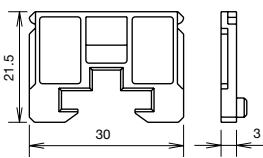

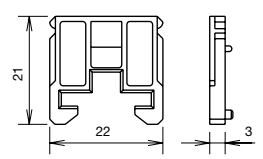

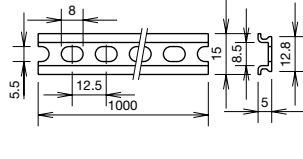

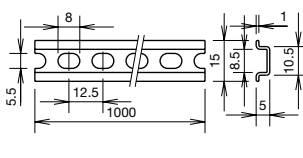

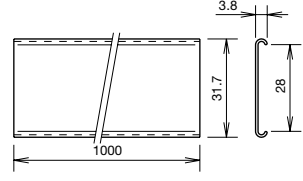

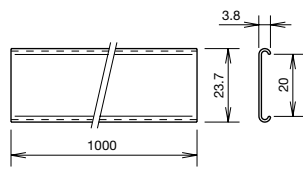
| No. of Poles | 16 | 18 | 20 | 25 | 30 | 35 | 40 | 45 | 50 | 51 |
|--------------|-------|-------|-----|-------|-------|-------|-----|-------|-------|-------|
| L | 101.2 | 111.1 | 121 | 145.8 | 170.5 | 195.3 | 220 | 244.8 | 269.5 | 274.5 |
| P | 93.2 | 103.1 | 113 | 137.8 | 162.5 | 187.3 | 212 | 236.8 | 261.5 | 266.5 |

Weight (per pole): 3.4g (BDK5)
n = number of poles

BD Series Terminal Blocks

Accessories



| Shape | Part No. | Ordering No. | Package Quantity | Dimensions | Remarks | |
|--|---|--------------------|---------------------|--|---|---|
| End Plate 8-mm terminal centers  Material: Modified PPE | Black | BDE11B | BDE11BPN10 | 10 |  | <ul style="list-style-type: none"> Used for ends of terminal blocks. For use on: BD8-R* BD8S-R* Weight: 1g |
| | Blue | BDE11S | BDE11SPN10 | | | |
| 7-mm, 5-mm terminal centers  Material: Modified PPE | Black | BDE12B | BDE12BPN10 | 10 |  | <ul style="list-style-type: none"> Used for ends of terminal blocks. For use on: BD7-RB BDK5-RB Weight: 1g |
| Rail DIN Rail 15-mm wide Aluminum, Length: 1m  | BDA1000 | BDA1000PN10 | 10 |  | <ul style="list-style-type: none"> DIN rail for mounting terminal blocks. For use on: BD8-R* BD8S-R* BD7-RB BDK5-RB | |
| | DIN Rail 15-mm wide Steel, Length: 1m  | BDP1000 | BDP1000PN10 | 10 | |  |
| Dust Cover 8-mm terminal centers  Polycarbonate, Length: 1m | BDC1000 | BDC1000PN10 | 10 |  | <ul style="list-style-type: none"> Transparent plastic cover for terminal blocks. For use on: BD8-R* BD8-MB□ BD8S-R* BD8S-MB□ | |
| | 7-mm, 5-mm terminal centers  Polycarbonate, Length: 1m | BDC1000S | BDC1000SPN10 | 10 | |  |

Specify the color code in place of *. B (black), S (blue)
 □: Number of poles

BD Series Terminal Blocks

| Shape | Material | Part No. | Ordering No. | Package Quantity | Dimensions (mm) | Terminal Block | |
|---------------|-----------------------------|-----------------------------|--------------|------------------|---|--|--|
| Marking Strip | 8-mm terminal centers | PVC (glossy surface) | BDM11 | BDM11PN10 | 10 | | BD8-R* BD8-MB□ BD8S-R* BD8S-MB□ |
| | | Fiber glass (matte surface) | BDM12 | BDM12PN10 | 10 | | |
| | 7-mm, 5-mm terminal centers | PVC (glossy surface) | BNM8 | BNM8PN10 | 10 | | |
| | | Fiber glass (matte surface) | BNM10 | BNM10PN10 | 10 | | |
| End Clip | Steel (zinc-plated) | BDL11 | BDL11PN10 | 10 | <p>Weight: Approx. 4g Recommended tightening torque: 0.5 to 0.7 N·m</p> | BD8-R* BD8S-R* BD7-RB BDK5-RB | |

| Description | | Part No. | Ordering No. | Dimensions | Rated Current | Package Quantity | Applicable Terminal Block | | |
|-------------|-----------------------------------|----------|-----------------------------|--------------|---------------------------------|------------------|--|----|-------------------|
| Jumper | For 6-pole 8-mm Terminal Centers | Ring | BNJ26W | BNJ26WPN10 | <p>Dashed lines: Insulation</p> | 10 | BD8-R* BD8-MB□ BD8S-R* BD8S-MB□ | | |
| | | | BNJ26WB Insulation: PVC | BNJ26WBPN10 | | 10 | | | |
| | | Fork | BNJ26FW | BNJ26FWPN10 | <p>Dashed lines: Insulation</p> | 10 | | | |
| | | | BNJ26FWB Insulation: PVC | BNJ26FWBPN10 | | 10 | | | |
| | For 10-pole 7-mm Terminal Centers | Ring | BDJ10 | BDJ10PN10 | <p>Dashed lines: Insulation</p> | 10A | | 10 | BD7-RB BD7-MB□ |
| | | | BDJ10B Insulation: PVC | BDJ10BPN10 | | 10 | | | |
| | | Fork | BDJ10F | BDJ10FPN10 | <p>Dashed lines: Insulation</p> | 10A | | 10 | |
| | | | BDJ10FB Insulation: PVC | BDJ10FBPN10 | | 10 | | | |

Calculating the Rail Length (When the same type terminal block is mounted)

BDA and BDP Rails

$$L_1 = 12.5 \times N$$

$$L_2 = L_1 - 25$$

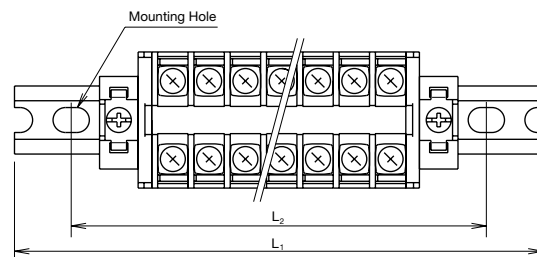
N: Rounded up numerical number from the calculated value of M.
(Example: N for 19.1 is 20)

$$M = \frac{(A + 0.1)n + 68.5}{12.5}$$

A: Thickness of each terminal block

n: The number of terminal blocks

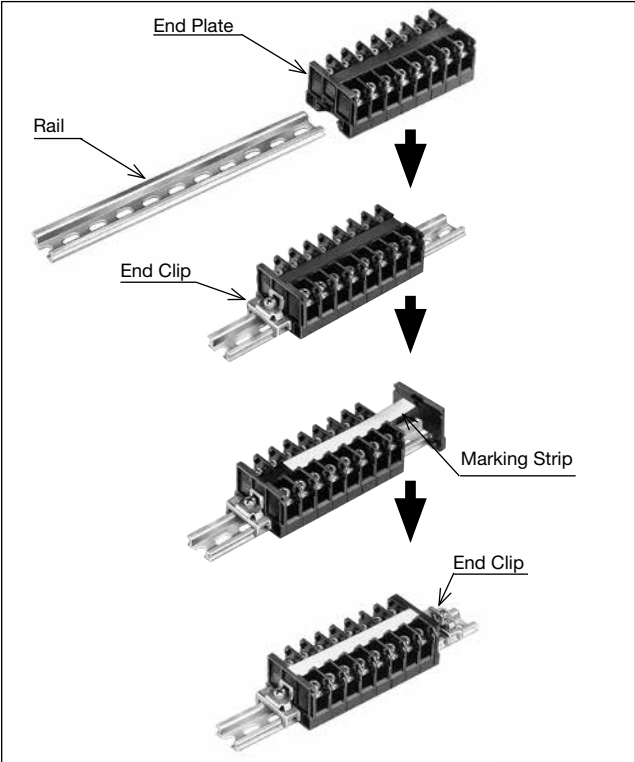
Note: This formula is for calculating the maximum rail length including tolerance. Depending on the combination of terminal blocks, the required rail length may be shorter than the calculated value, particularly when many terminal blocks are combined.



BD Series Terminal Blocks

Instructions

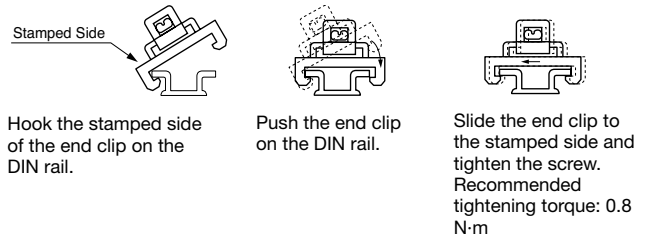
Installation of Rail Mount Terminal Blocks



When using DIN Rail

1. Determine the length of the DIN rail according to the width of the terminal blocks.
2. Assemble the terminal blocks with an end plate on one side, and then install them onto the DIN rail. (When mounting BD8, BD7, and BDK5 series on the same DIN rail, use end plates at the end of assemblies of each series.)
3. Install an end clip (BDL11) so that the terminal blocks are mounted in the center of the DIN rail. See "Installing the end clip" below.
4. Insert the marking strip and fasten with another end plate.
5. Install the end clip (BDL11) on the other end of the terminal block
6. Cover the terminal block with the dust cover.

Installing the end clip



Installing Surface Mount Terminal Blocks

To install surface mount terminal blocks, use four screws and tighten four corners of the terminal blocks to a torque of 1.0 N-m maximum.

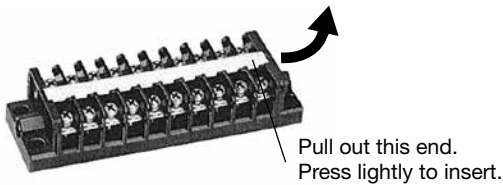
For screw types and tightening torque, see the table below. See page 49 for mounting hole dimensions.

| Screw Size (For BD8) | Screw Size (For BD/BDK5) | Tightening Torque |
|---|---|-------------------|
| M4 screw only | — | 1.0 N-m maximum |
| M4 screw + M4 plain washer | M3 screw + M3 plain washer | |
| | M3.5 screw + M3.5 plain washer | |
| M4 screw + M4 plain washer + M4 spring washer | M3 screw + M3 plain washer + M3 spring washer | |
| | M3.5 screw + M3.5 plain washer + M3.5 spring washer | |

Installing and Removing the Marking Strip

When removing the marking strip, pull out the end of the marking strip with the tip of a screwdriver.

To install, insert the marking strip into the terminal block from one end and press in the other end of the marking strip.



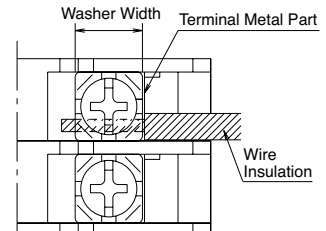
Notes on Wiring

Crimping Terminals

- When using crimping terminals, be sure to use insulated terminals to prevent electric shocks.

Without Crimping Terminals

- Insert the wire until the insulation comes into contact with the terminal metal part.
- Strip the insulation so that the wire is longer than the width of the wire clamp.
- When connecting two wires, use wires of the same size.



Ordering Terms and Conditions

Thank you for using IDEC Products.

By purchasing products listed in our catalogs, datasheets, and the like (hereinafter referred to as "Catalogs") you agree to be bound by these terms and conditions. Please read and agree to the terms and conditions before placing your order.

1. Notes on contents of Catalogs

- (1) Rated values, performance values, and specification values of IDEC products listed in this Catalog are values acquired under respective conditions in independent testing, and do not guarantee values gained in combined conditions.
Also, durability varies depending on the usage environment and usage conditions.
- (2) Reference data and reference values listed in Catalogs are for reference purposes only, and do not guarantee that the product will always operate appropriately in that range.
- (3) The specifications / appearance and accessories of IDEC products listed in Catalogs are subject to change or termination of sales without notice, for improvement or other reasons.
- (4) The content of Catalogs is subject to change without notice.

2. Note on applications

- (1) If using IDEC products in combination with other products, confirm the applicable laws / regulations and standards.
Also, confirm that IDEC products are compatible with your systems, machines, devices, and the like by using under the actual conditions. IDEC shall bear no liability whatsoever regarding the compatibility with IDEC products.
- (2) The usage examples and application examples listed in Catalogs are for reference purposes only. Therefore, when introducing a product, confirm the performance and safety of the instruments, devices, and the like before use. Furthermore, regarding these examples, IDEC does not grant license to use IDEC products to you, and IDEC offers no warranties regarding the ownership of intellectual property rights or non-infringement upon the intellectual property rights of third parties.
- (3) When using IDEC products, be cautious when implementing the following.
 - i. Use of IDEC products with sufficient allowance for rating and performance
 - ii. Safety design, including redundant design and malfunction prevention design that prevents other danger and damage even in the event that an IDEC product fails
 - iii. Wiring and installation that ensures the IDEC product used in your system, machine, device, or the like can perform and function according to its specifications
- (4) Continuing to use an IDEC product even after the performance has deteriorated can result in abnormal heat, smoke, fires, and the like due to insulation deterioration or the like. Perform periodic maintenance for IDEC products and the systems, machines, devices, and the like in which they are used.
- (5) IDEC products are developed and manufactured as general-purpose products for general industrial products. They are not intended for use in the following applications, and in the event that you use an IDEC product for these applications, unless otherwise agreed upon between you and IDEC, IDEC shall provide no guarantees whatsoever regarding IDEC products.
 - i. Use in applications that require a high degree of safety, including nuclear power control equipment, transportation equipment (railroads / airplanes / ships / vehicles / vehicle instruments, etc.), equipment for use in outer space, elevating equipment, medical instruments, safety devices, or any other equipment, instruments, or the like that could endanger life or human health
 - ii. Use in applications that require a high degree of reliability, such as provision systems for gas / waterworks / electricity, etc., systems that operate continuously for 24 hours, and settlement systems
 - iii. Use in applications where the product may be handled or used deviating from the specifications or conditions / environment listed in the Catalogs, such as equipment used outdoors or applications in environments subject to chemical pollution or electromagnetic interference
If you would like to use IDEC products in the above applications, be sure to consult with an IDEC sales representative.

3. Inspections

We ask that you implement inspections for IDEC products you purchase without delay, as well as thoroughly keep in mind management/maintenance regarding handling of the product before and during the inspection.

4. Warranty

- (1) Warranty period
The warranty period for IDEC products shall be one (1) year after purchase or delivery to the specified location. However, this shall not apply in cases where there is a different specification in the Catalogs or there is another agreement in place between you and IDEC.
- (2) Warranty scope
Should a failure occur in an IDEC product during the above warranty period for reasons attributable to IDEC, then IDEC shall replace or repair that product, free of charge, at the purchase location / delivery location of the product, or an IDEC service base. However, failures caused by the following reasons shall be deemed outside the scope of this warranty.
 - i. The product was handled or used deviating from the conditions / environment listed in the Catalogs
 - ii. The failure was caused by reasons other than an IDEC product
 - iii. Modification or repair was performed by a party other than IDEC
 - iv. The failure was caused by a software program of a party other than IDEC
 - v. The product was used outside of its original purpose
 - vi. Replacement of maintenance parts, installation of accessories, or the like was not performed properly in accordance with the user's manual and Catalogs
 - vii. The failure could not have been predicted with the scientific and technical standards at the time when the product was shipped from IDEC
 - viii. The failure was due to other causes not attributable to IDEC (including cases of force majeure such as natural disasters and other disasters)Furthermore, the warranty described here refers to a warranty on the IDEC product as a unit, and damages induced by the failure of an IDEC product are excluded from this warranty.

5. Limitation of liability

The warranty listed in this Agreement is the full and complete warranty for IDEC products, and IDEC shall bear no liability whatsoever regarding special damages, indirect damages, incidental damages, or passive damages that occurred due to an IDEC product.

6. Service scope

The prices of IDEC products do not include the cost of services, such as dispatching technicians. Therefore, separate fees are required in the following cases.

- (1) Instructions for installation / adjustment and accompaniment at test operation (including creating application software and testing operation, etc.)
- (2) Maintenance inspections, adjustments, and repairs
- (3) Technical instructions and technical training
- (4) Product tests or inspections specified by you

The above content assumes transactions and usage within your region. Please consult with an IDEC sales representative regarding transactions and usage outside of your region. Also, IDEC provides no guarantees whatsoever regarding IDEC products sold outside your region.

IDEC CORPORATION

Head Office 6-64, Nishi-Miyahara-2-Chome, Yodogawa-ku, Osaka 532-0004, Japan

 www.idec.com

USA IDEC Corporation
EMEA APEM SAS

Singapore IDEC Izumi Asia Pte. Ltd.
Thailand IDEC Asia (Thailand) Co., Ltd.
India IDEC Controls India Private Ltd.

China IDEC (Shanghai) Corporation
IDEC Izumi (H.K.) Co., Ltd.
Taiwan IDEC Taiwan Corporation

Japan IDEC Corporation

Specifications and other descriptions in this brochure are subject to change without notice.

2022 IDEC Corporation, All Rights Reserved.

