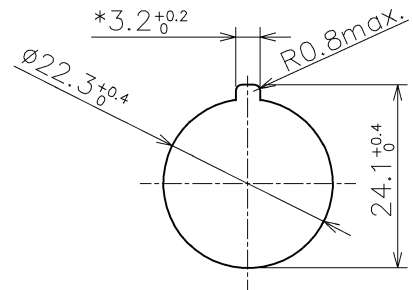
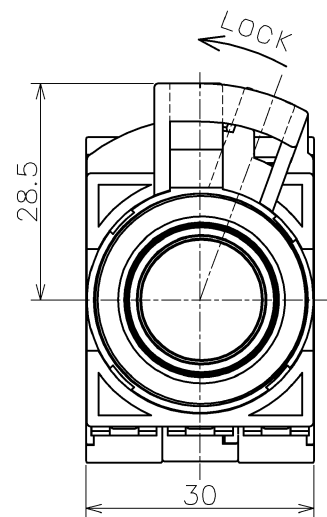
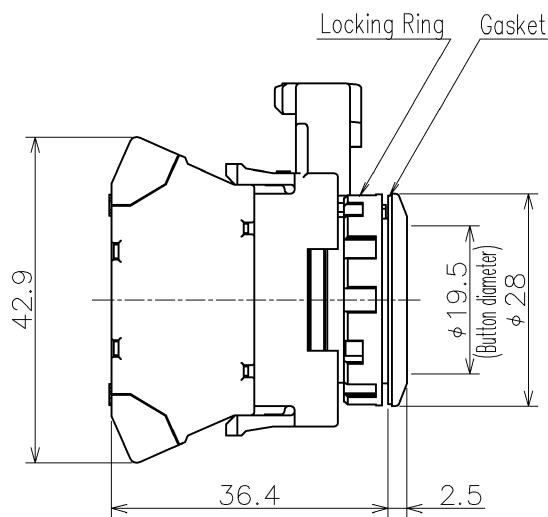
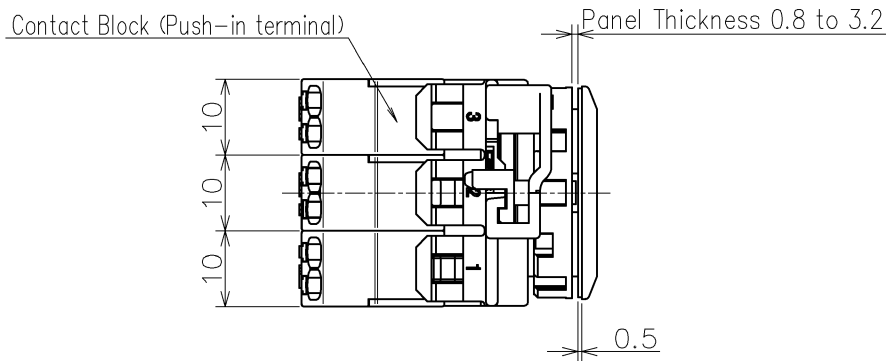


Bezel Style (Δ) : Black (1), Metallic (4)  
 Operation type : Momentary  
 Contact Arrangement (☆☆) : 1NO (10), 1NC (01), 1NO-1NC (11),  
 2NO (20), 2NC (02),  
 2NO-1NC (21), 1NO-2NC (12),  
 3NO (30), 3NC (03),  
 Button Color (※) : Black (B), Green (G), Red (R), Yellow (Y),  
 Blue (S), White (W)



Panel Cut-Out

\*The 3.2<sup>+0.2</sup> recess is not necessary when neither nameplate nor anti-rotation ring is used.



			Product Name: CW SERIES PUSHBUTTON SWITCH	
			Type Number: CWΔB-M1P☆☆※	
Approved by	T.IWAMI	DEC.23,2020	Dim.: mm	Outside View
Checked by	Y.DOKI	DEC.23,2020	Drawing No.	
Drawn by	T.MATSUMOTO	DEC.23,2020	MA4-A05818	