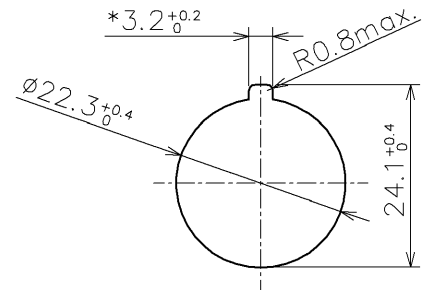
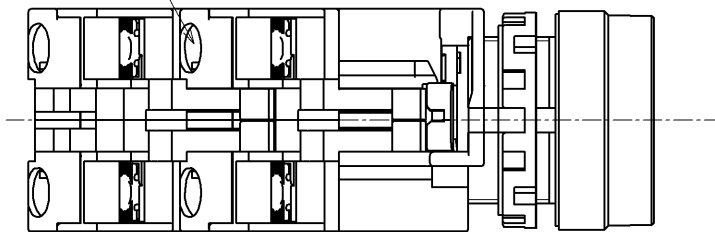


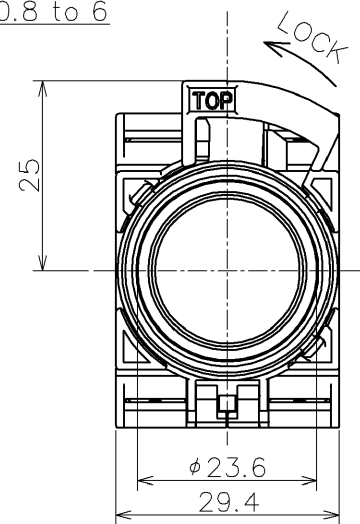
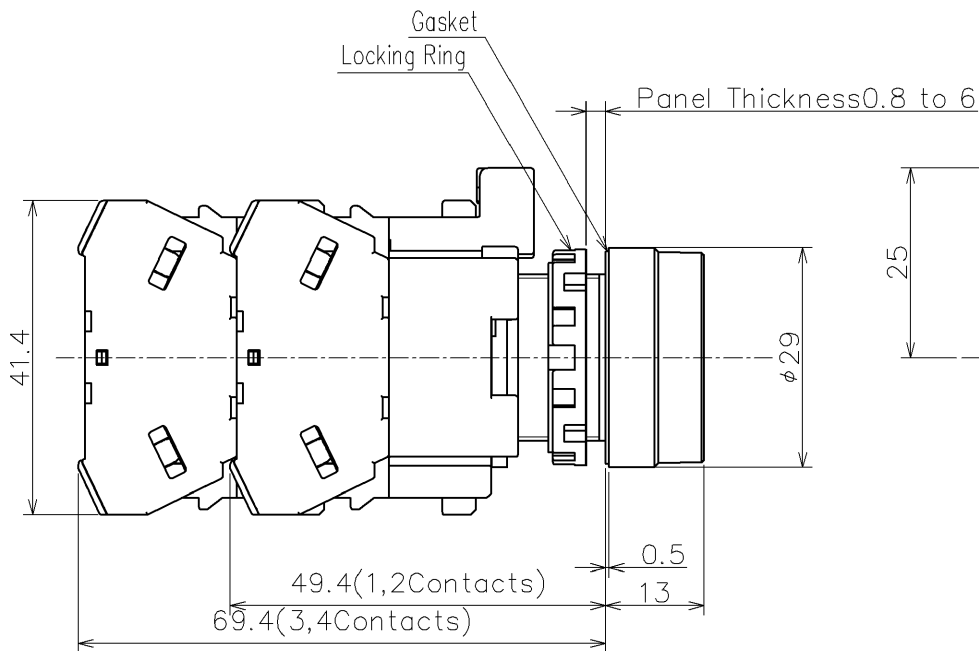
Operating Type (◇) : Momentary (M), Alternate (A)
 Contact Arrangement (□□) : 1a (10), 1b (01), 1a-1b (11), 2a (20),
 2b (02), 2a-2b (22), 4a (40), 4b (04),
 1a-3b (13), 3a-1b (31)
 Button Color (*) : Red (R), Green (G), Black (B),
 Yellow (Y), Blue (S), White (W)

Contact Block
 M3.5 Terminal Screw



Panel Cut-Out

*The 3.2^{+0.2} recess is not necessary when neither nameplate nor anti-rotation ring is used.



			Product Name: HW SERIES PUSHBUTTON SWITCH	
			Type Number: HW1B-◇1□□*	
Approved by	T.Iwami	2022/11/01	Dim.: mm	Outside View
Checked by	T.Watanabe	2022/11/01	Drawing No.	
Drawn by	T.Matsumoto	2022/11/01	MA4-A05406C	