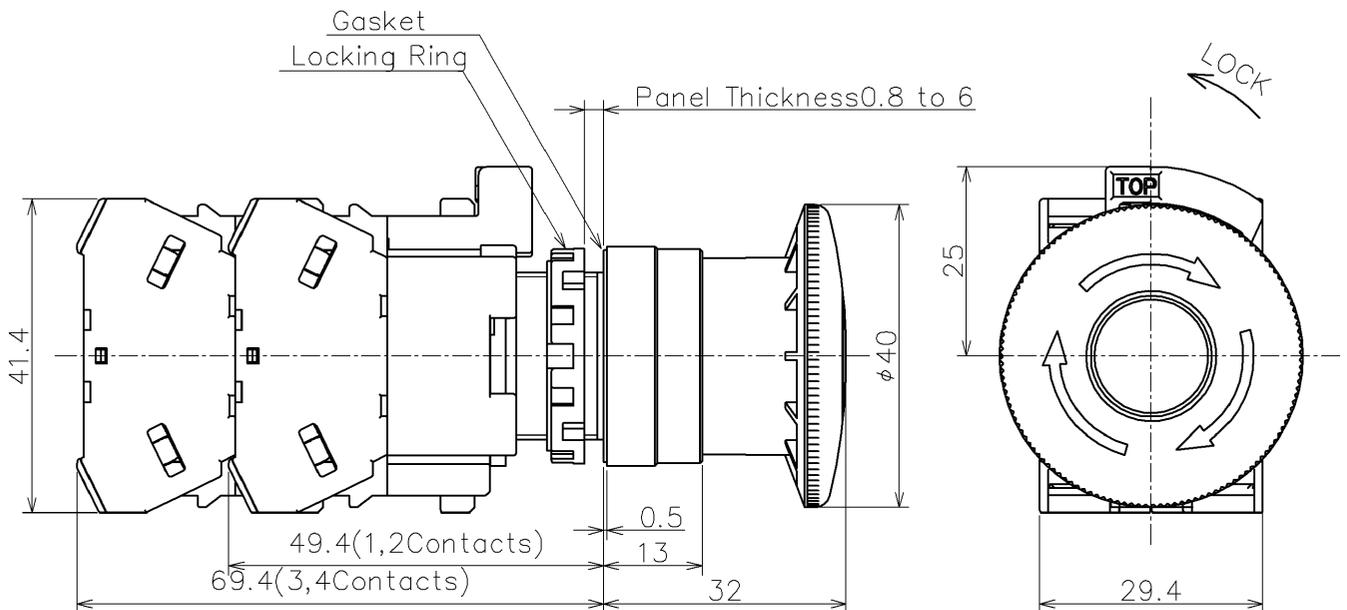
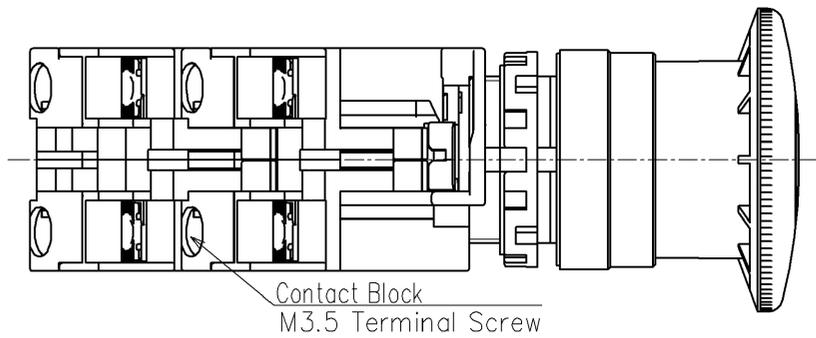


Panel Cut-Out

*The $3.2^{+0.2}$ recess is not necessary when neither nameplate nor anti-rotation ring is used.

Contact Arrangement (□□) : 1 b (01), 1 a-1 b (11),
 2 b (02), 3 b (03),
 2 a-1 b (21), 1 a-2 b (12),
 4 b (04), 2 a-2 b (22),
 3 a-1 b (31), 1 a-3 b (13)
 Button Color : Red (R), Yellow (Y)



			Product Name: HW SERIES PUSHLOCK TURNRESET SWITCH	
			Type Number: HW1B-V4□□*	
Approved by	T.Iwami	2022/11/01	Dim.: mm	Outside View
Checked by	T.Watanabe	2022/11/01	Drawing No.	
Drawn by	T.Matsumoto	2022/11/01	MA4-A05321C	