

Panel Cut-Out

*The $3.2^{+0.2}$ recess is not necessary when neither nameplate nor anti-rotation ring is used.

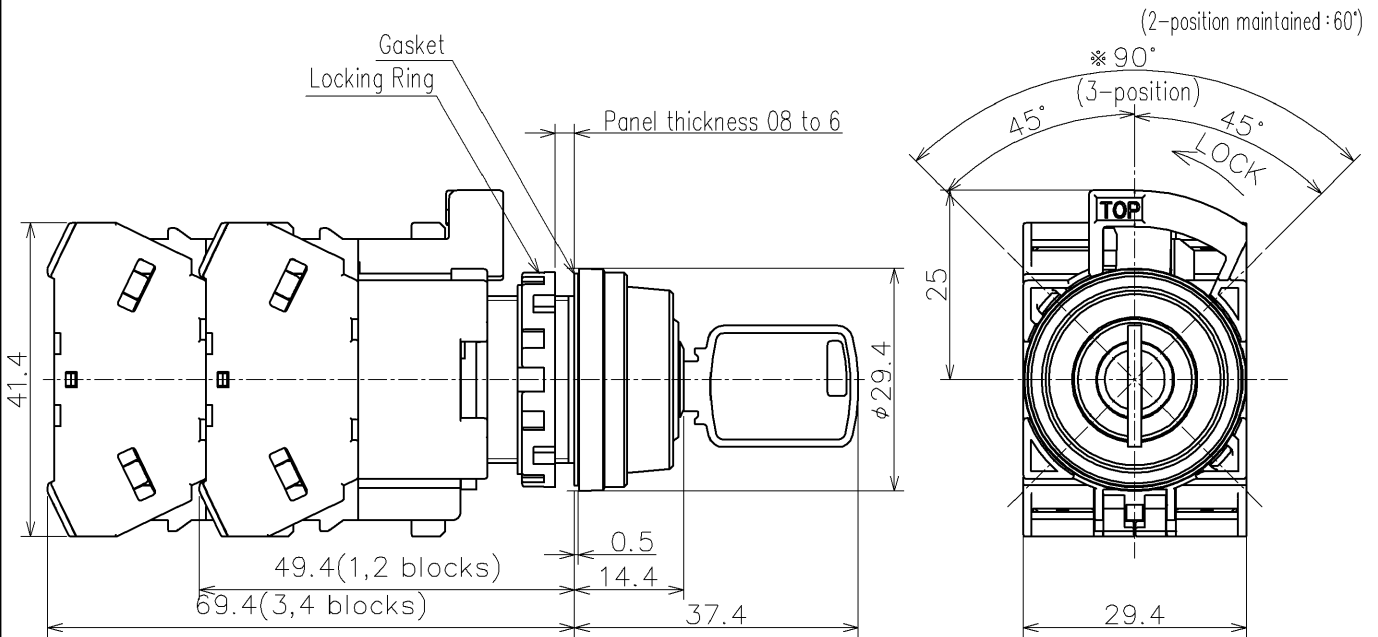
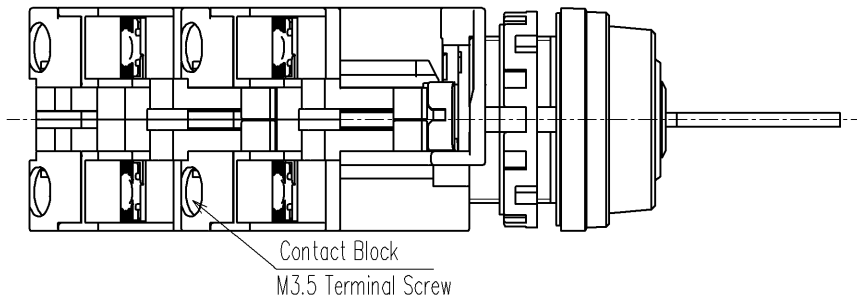
Operator position code (O) : 2-position, maintained (2)
 2-position, spring return from right (21),
 3-position, maintained (3),
 3-position, spring return from right(31),
 3-position, spring return from left (32).
 3-position, 2-way spring return (33)

Cam code (◇) : Blank, J, or S

Key removal/retained positions (Δ) : Removable/retained in all positions (A)
 [Removable in left theft only(B),Removable in right only(C)(2-position)]
 [Removable in all positions(A),Removable in right only(B)
 Removable in right and center(C),Removable in center only(D)
 Removable in right and left(E),Removable in left only(G)
 Removable in right only(H) (3-position)]

Contact Configuration (□□) : [1 a (10), 1 b (01), 1 a-1 b (11), 1 a-1 b (7S),
 2 a (20), 2 b (02), 3 b (03), 2 a-1 b (21), 4 a (40),
 3 a-1 b (31N1), 2 a-2 b (22), 1 a-2 b (12) : 2-position]
 [2 a (20), 2 b (02), 1 a-1 b (11), 1 a-1 b (11N1),
 2 a-1 b (21N1), 4 a (40), 4 b (04),
 2 a-2 b (22N1), 2 a-2 b (22N2) : 3-position]

Key number (*) : Standard (blank), 501~515(501~515)



Product Name: HW SERIES KEY SELECTORS SWITCHES

Type Number: HW1K-O◇P△□□-*

Approved by	T.Iwami	2022/11/01
Checked by	T.Watanabe	2022/11/01
Drawn by	T.Matsumoto	2022/11/01

Dim.: mm	Outside View
Drawing No.	