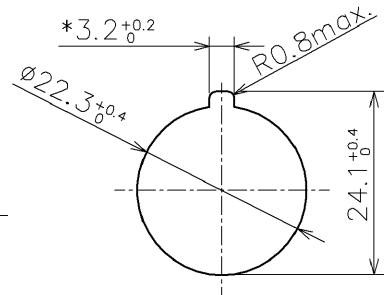
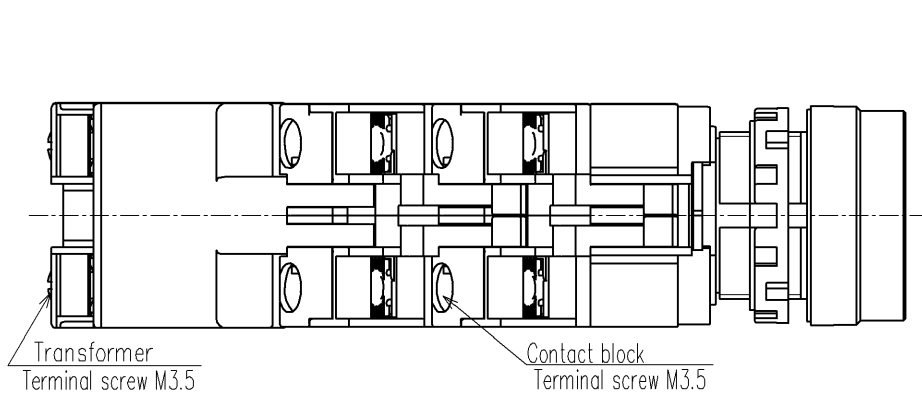
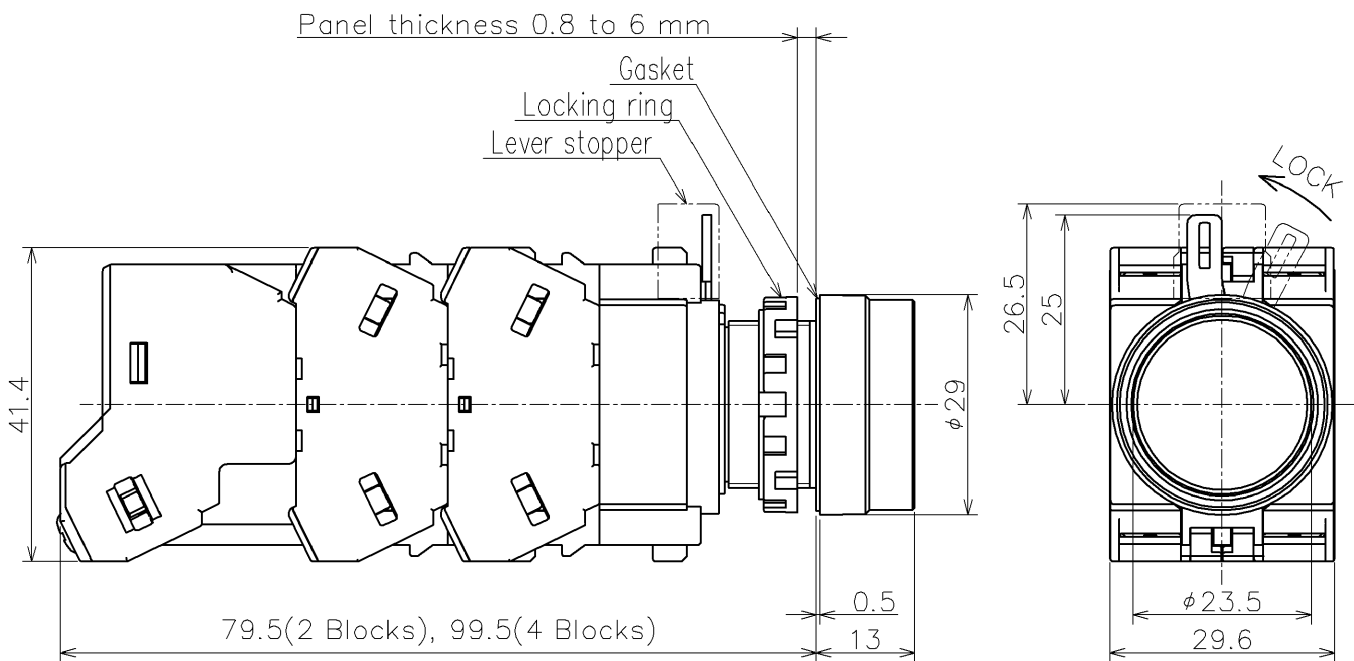


Operation type (◇) : Momentary (M), Maintained (A),  
 Contact Configuration (□□) : 1a-1b (11), 2a (20), 2b (02),  
 2a-2b (22), 4a (40), 4b (04),  
 1a-3b (13), 3a-1b (31)  
 Rated Voltage (Δ) : 100/110V AC (H),  
 115/120V AC (H2),  
 200/220V AC (M),  
 230/240V AC (M4)  
 Lens color (※) : Red (R), Green (G), Amber (A), Blue (S), Yellow (Y),  
 Pure white (PW)



Panel cut-out

\*The  $3.2^{+0.2}$  mm recess is for preventing rotation and is not necessary when the nameplate or anti-rotation ring is not used.



			Product Name: HW SERIES ILLUMINATED PUSHBUTTON SWITCH	
			Type Number: HW1L-◇1□□Δ2※	
Approved by	T.Iwami	2022/11/11	Dim.: mm	Outside View
Checked by	T.Watanabe	2022/11/11	Drawing No.	
Drawn by	T.Matsumoto	2022/11/11	MA4-A05861C	