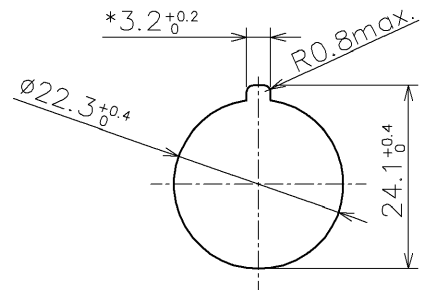
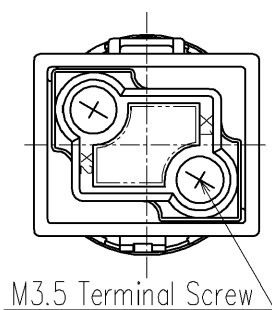
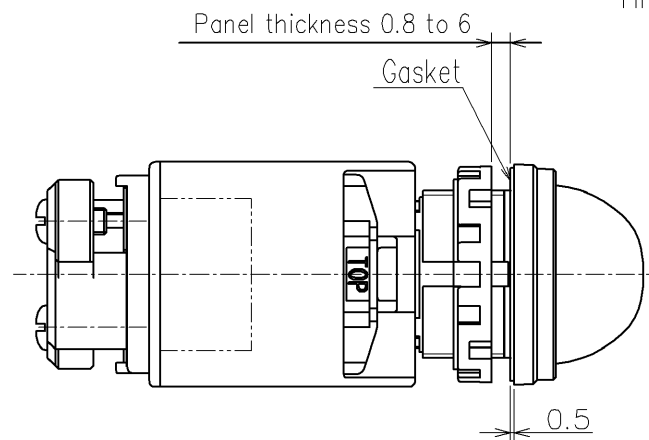


Rated operating voltage (Δ) : 100/110V AC (H2)
115/120V AC (H22)
200/220V AC (M2)
230/240V AC (M42)
Lens Color (*): Red (R), Green (G), Blue (S), Amber (A), Pure White (PW), Yellow (Y)

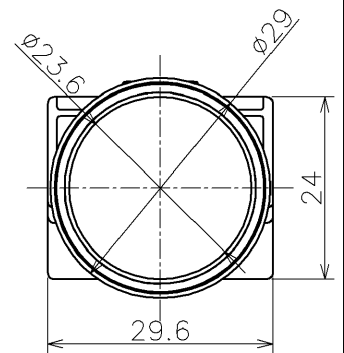
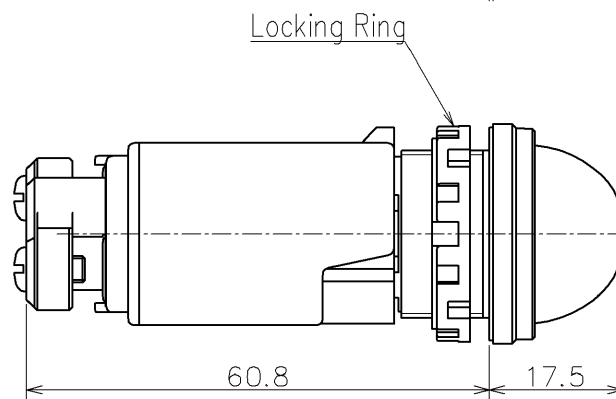


Panel Cut-Out

*The 3.2^{+0.2} recess is not necessary when neither nameplate nor anti-rotation ring is used.



M3.5 Terminal Screw



			Product Name: HW SERIES PILOT LIGHT
			Type Number: HW1P-2Δ*
Approved by	T. Iwami	May.25,2021	Dim.: mm
Checked by	T.Minami	May.25,2021	
Drawn by	T.Matsumoto	May.25,2021	Drawing No. MA4-A03129B