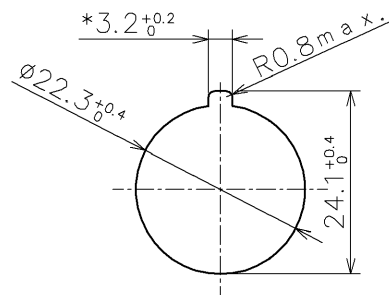
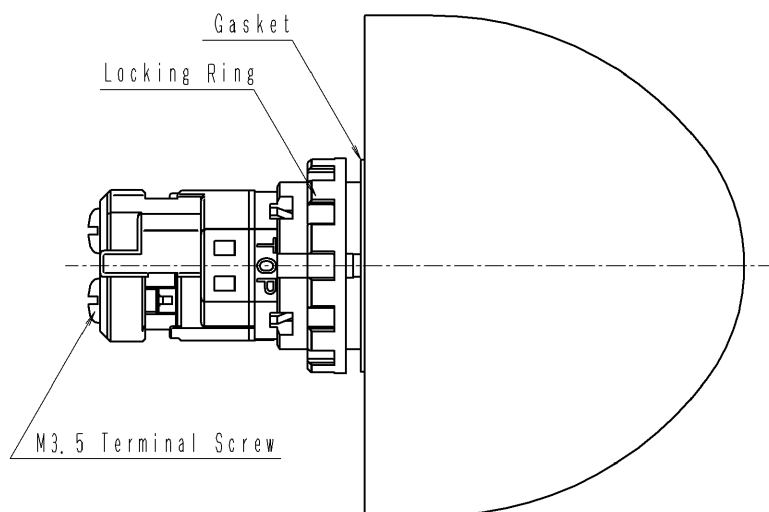
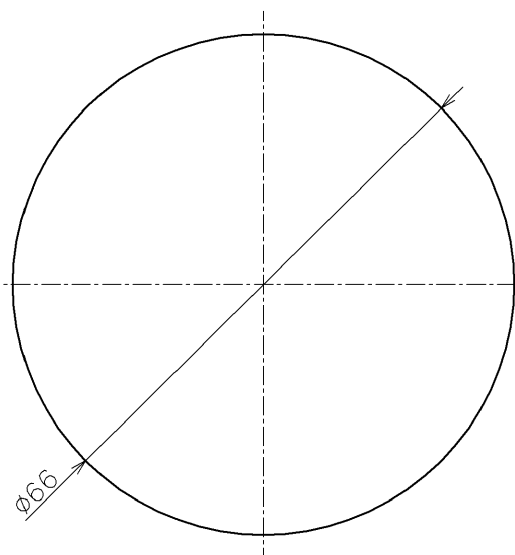
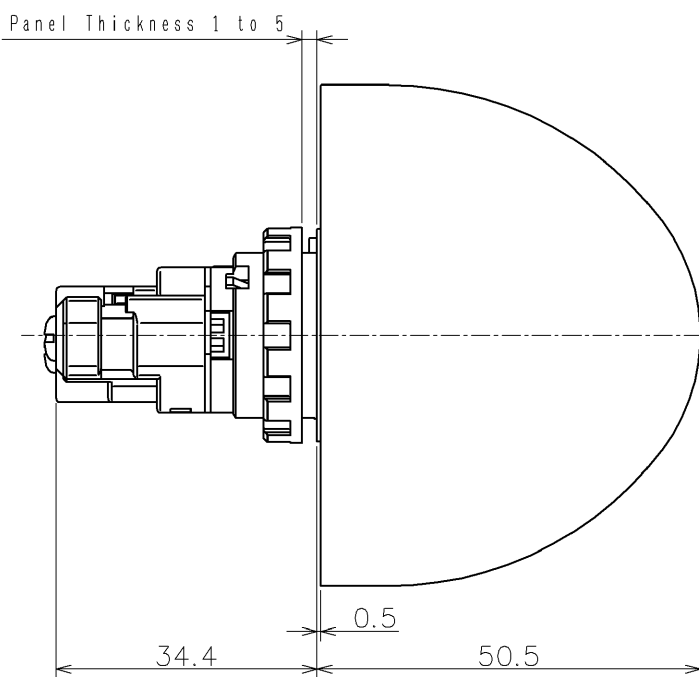


Illuminated Color(\*): Red (R), Green(G), Blue(S),  
Amber (A), Yellow(Y), Pure White(PW)



Panel Cut-Out

\*The  $3.2^{+0.2}$  recess is not necessary when neither nameplate nor anti-rotation ring is used.



|             |             |            |             |                                     |
|-------------|-------------|------------|-------------|-------------------------------------|
|             |             |            |             | Product Name: HW SERIES PILOT LIGHT |
|             |             |            |             | Type Number: HW1P-5Q4*              |
| Approved by | M.Fujimoto  | 2022/11/25 | Dim.: mm    | Outside View                        |
| Checked by  | Y.Hanaoka   | 2022/11/25 | Drawing No. |                                     |
| Drawn by    | T.Matsumoto | 2022/11/25 | MA4-A04477C |                                     |