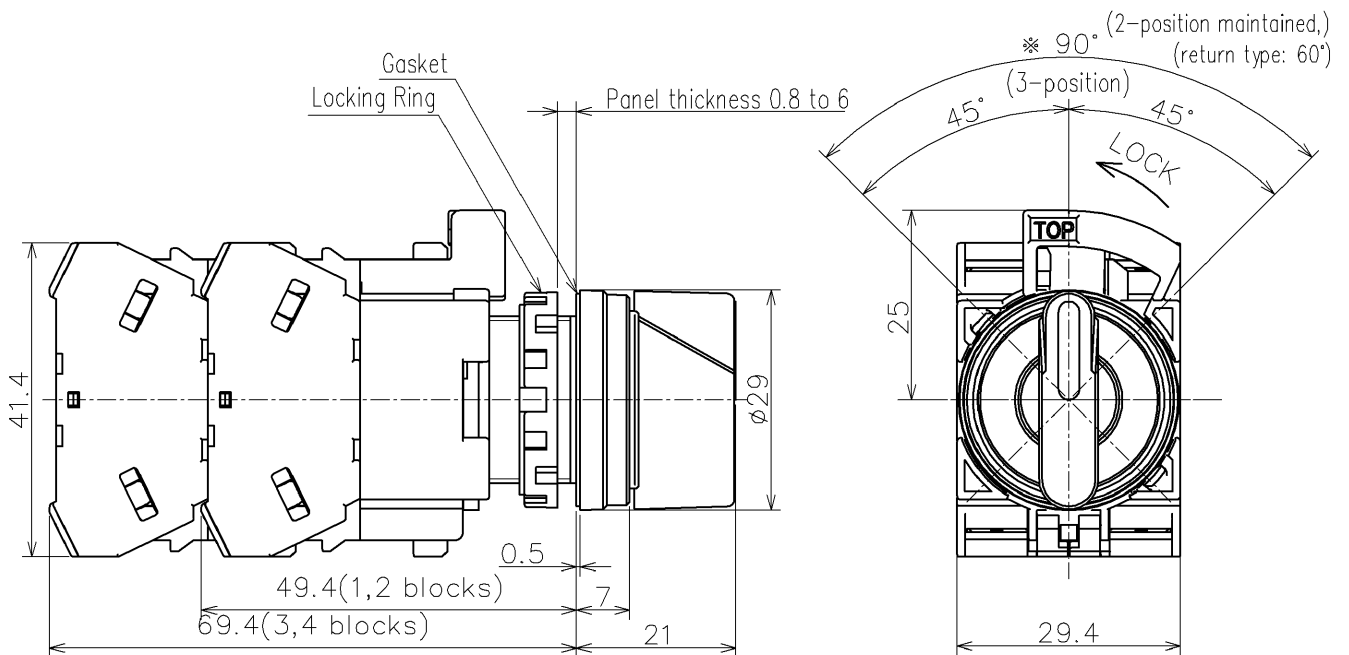
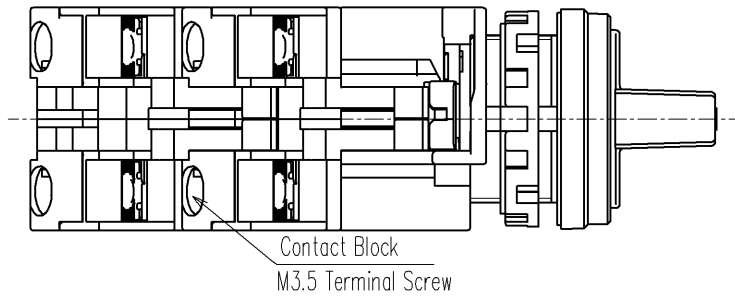


Panel Cut-Out

\*The  $3.2^{+0.2}$  recess is not necessary when neither nameplate nor anti-rotation ring is used.

No. of Positions (O) :	2-position (2) , 3-position (3)
Operation type ( $\Delta$ ) :	Maintained (blank), Spring return from right (1), [Spring return from left (2), Spring Return two-way (3) : 3position]
Cam code ( $\diamond$ ) :	Blank, J, or S
Contact Configuration ( $\square$ ) :	[1a (10) , 1b (01) , 1a-1b (11) , 1a-1b (7S) , 2a (20) , 2b (02) , 3b (03) , 2a-1b (21) , 4a (40) , 3a-1b (31N1) , 2a-2b (22) : 2-position] [2a (20) , 2b (02) , 1a-1b (11) , 1a-1b (11N1) , 2a-1b (21N1) , 4a (40) , 4b (04) , 2a-2b (22N1) , 2a-2b (22N2) : 3-position]



			Product Name:	HW SERIES SELECTORS SWITCHES	
			Type Number:	HW1S- $\circ\Delta\diamond T\square\square$	
Approved by	T.Iwami	2022/11/01	Dim.:	m m	Outside View
Checked by	T.Watanabe	2022/11/01	Drawing No. MA4-A05799C		
Drawn by	T.Matsumoto	2022/11/01			