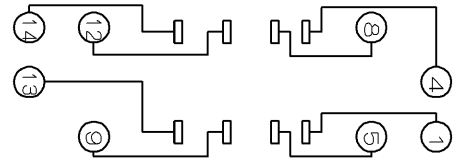
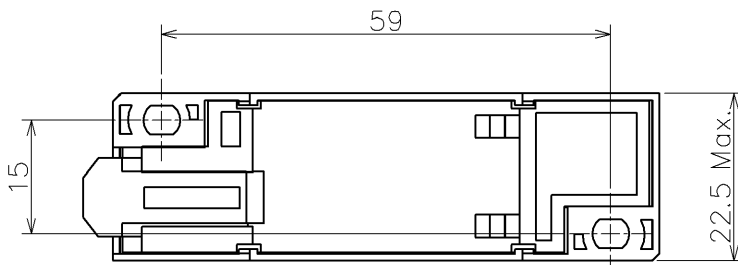
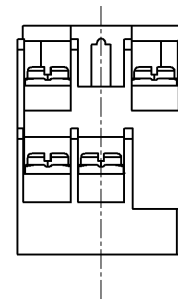
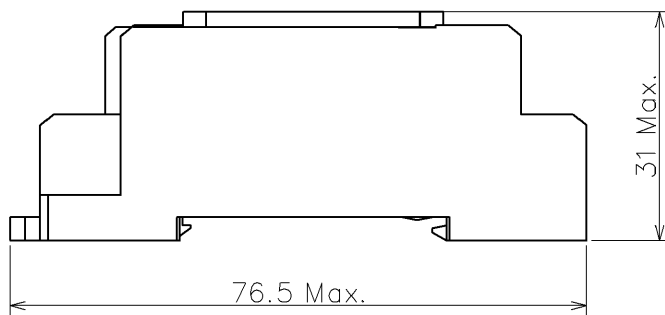


PANEL CUTOUT FOR SURFACE MOUNTING



TERMINAL ARRANGEMENT
TOP VIEW



			Product Name: TYPE SN SOCKET	
			Type Number: SN2S-05D	
Approved by	Y.ONISHI	JUL .10 ,2018	Dim.: mm	Outside View
Checked by	T.KONDO	JUL .10 ,2018	Drawing No. MA4-R00511	
Drawn by	T.KONDO	JUL .10 ,2018		