

Operation Type : Pushlock

Reset : Turnreset or Pullreset

□□ (Contact Arrangement) : 01 (1b), 11 (1a-1b), 02 (2b), 03 (3b), 12 (1a-2b),
22 (2a-2b), 04 (4b), 13 (1a-3b)

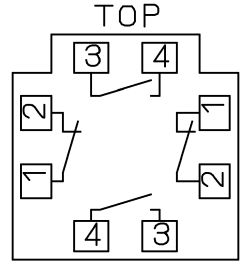
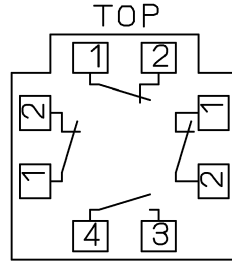
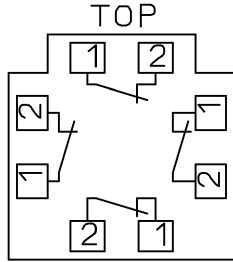
* (Button Color) : R (Red), RH (Bright Red)

Contact Configuration (Bottom View)

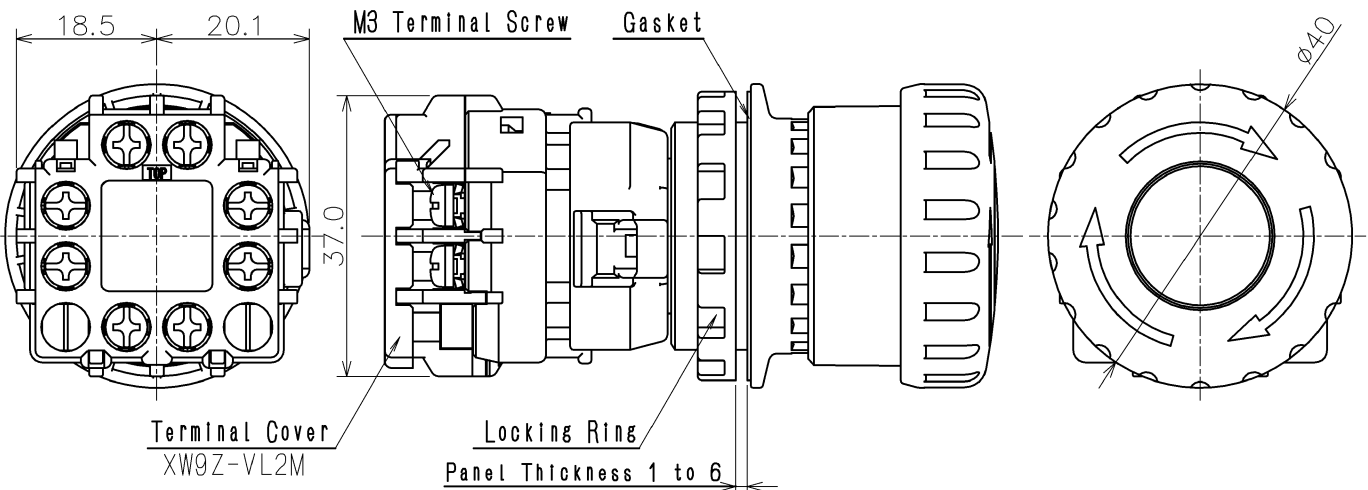
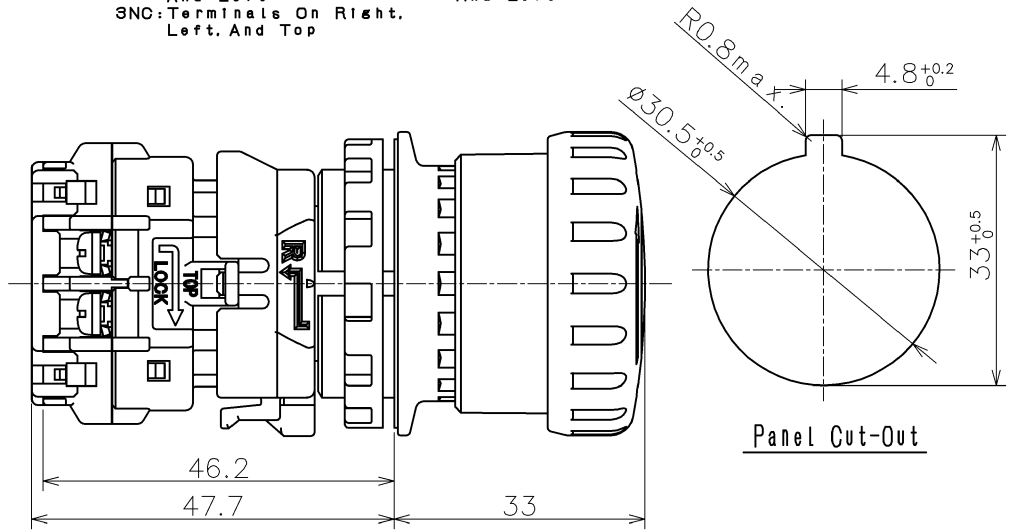
NC main
Contact Only

With 1NO Monitor
Contact

With 2NO Monitor
Contacts



1NC: Terminals On Right
2NC: Terminals On Right
And Left
3NC: Terminals On Right,
Left, And Top



Product Name: XN SERIES EMERGENCY STOP SWITCHES

Type Number: XN1E-BV4□□M*

Approved by	S. TAKAHASHI	JAN.15,2016
Checked by	H. OKAMURA	JAN.15,2016
Drawn by	T. MATSUMOTO	JAN.15,2016

Dim.: mm	Outside View
Drawing No. MA4-A04851	