

□ (Contact Arrangement): 01 (1b), 11 (1a-1b), 02 (2b), 03 (3b), 12 (1a-2b),
22 (2a-2b), 04 (4b), 13 (1a-3b)

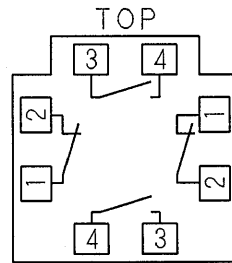
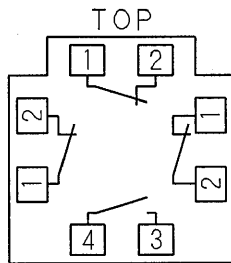
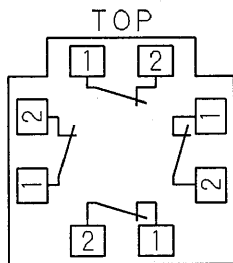
* (Button Color): R (Red), RH (Bright Red)

Contact Configuration (Bottom View)

NC main
Contact Only

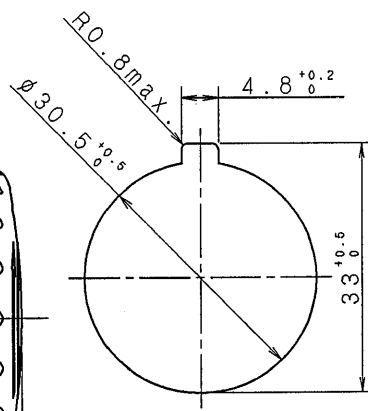
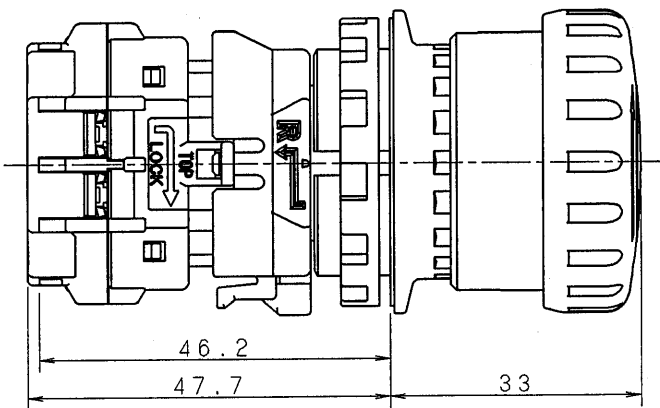
With 1NO Monitor
Contact

With 2NO Monitor
Contacts

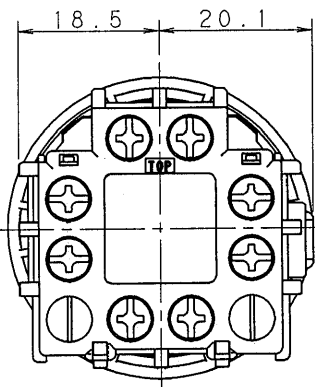


1NC: Terminals On Right And Left
2NC: Terminals On Right And Left
3NC: Terminals On Right, Left, And Top

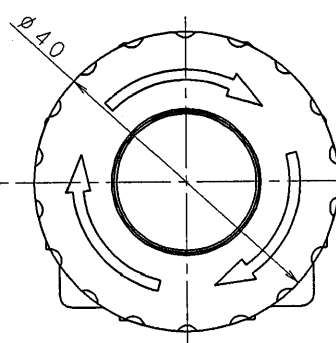
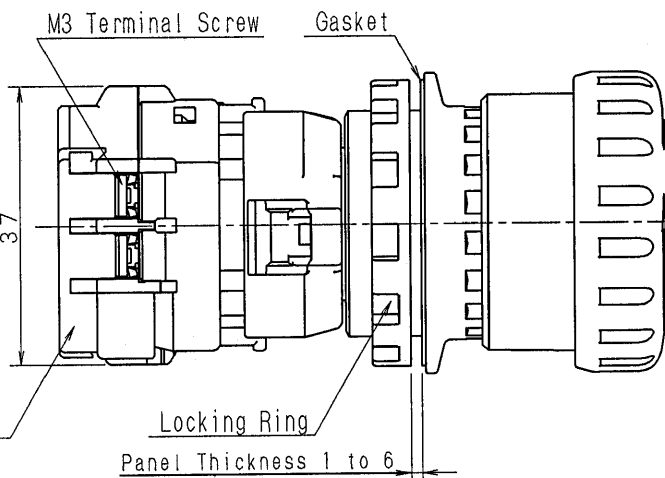
1NC: Terminals On Top And Left
2NC: Terminals On Right And Left



Panel Cut-Out



Terminal Cover
XW9Z-VL2MF



Product Name: XN SERIES EMERGENCY STOP SWITCHES

Type Number: XN1E-BV4□□MF*

Approved by *S. Takahashi*
Checked by *H. Okamura*
Drawn by T. MATSUMOTO

Jan. 23, 2009
Jan. 23, 2009
Jan. 20, 2009

Dim.: mm Outside View

Drawing No. MA4-A04370