

Operation Type : Pushlock

Reset : Turnreset

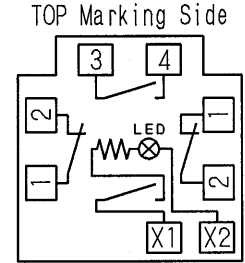
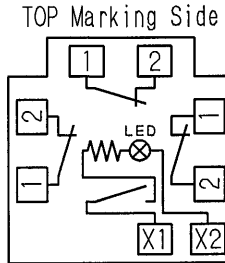
□ (Contact Arrangement) : 02 (2b), 03 (3b), 12 (1a-2b)

※ (Button Color) : R (Red)

Contact Configuration (Bottom View)

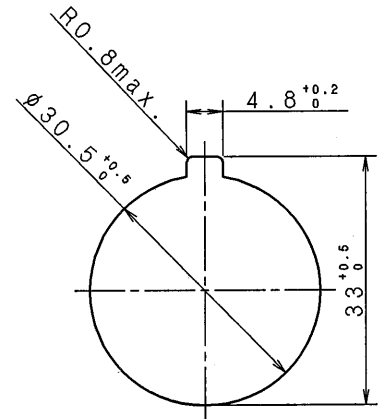
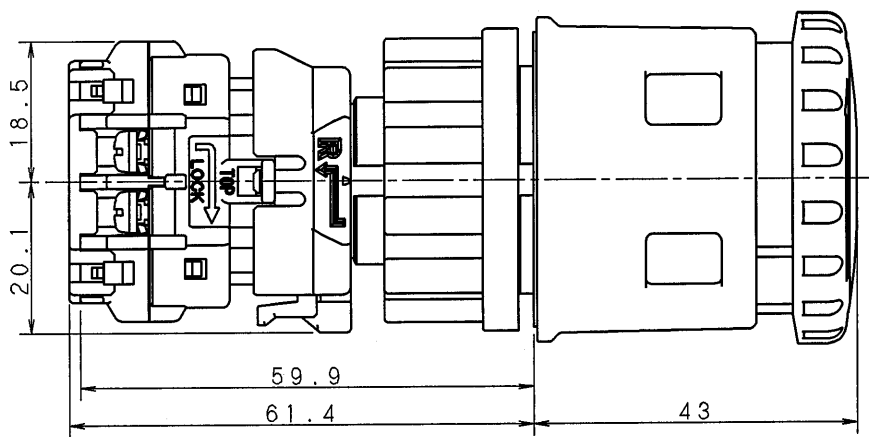
Main contact (NC contact) only

Monitor contact (NO contact) included

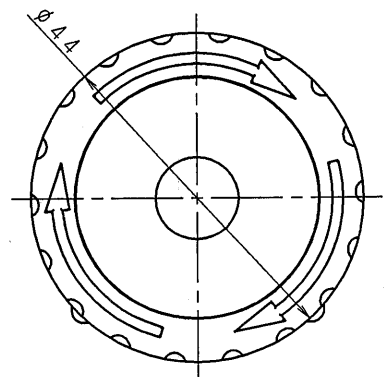
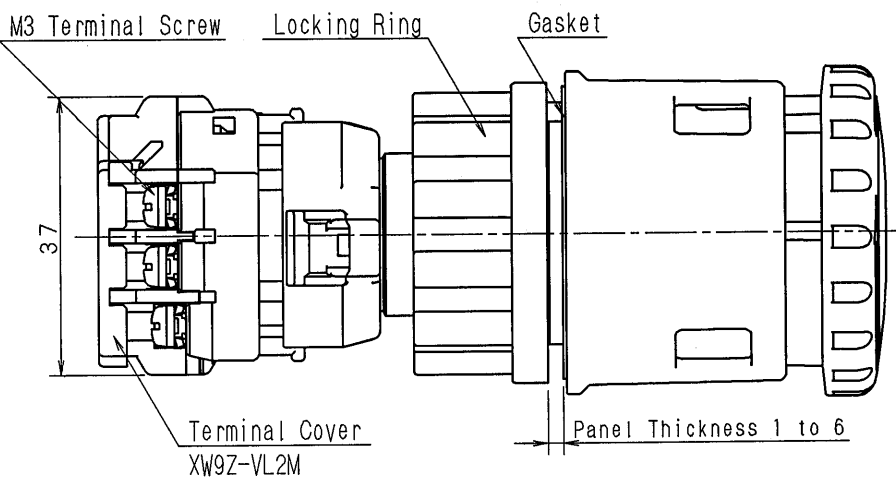


2NC: Terminals on the right and left.

3NC: Terminals on the right, left and top.



Panel Cut-Out



Product Name: XN SERIES EMERGENCY STOP SWITCHES

Type Number: XN4E-TL4□□Q4M※

Approved by *T. Yamamoto* Feb. 19, 2007
 Checked by *S. Takahashi* Feb. 19, 2007
 Drawn by *K. TATEISHI* Feb. 19, 2007

Dim.: mm **Outside View**
 Drawing No. MA4-A04187B