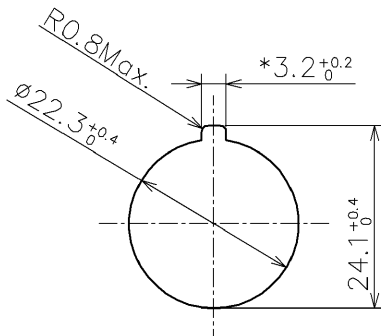


Operation Type: Pushlock

Reset: Turnreset or Pullreset

Contact Arrangement(□□): 3b(03),1a2b(12)

Button Color(*): Red(R)

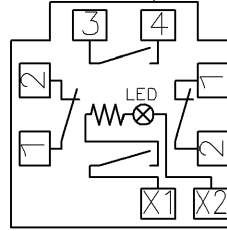


Panel Cut-Out

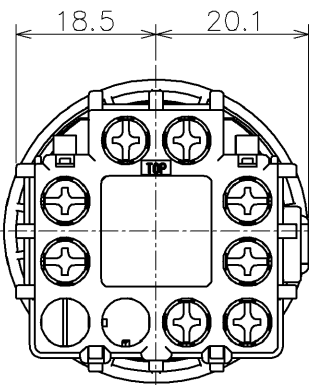
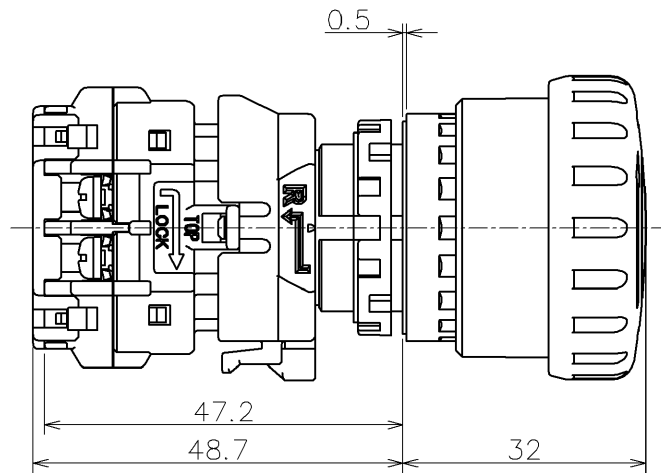
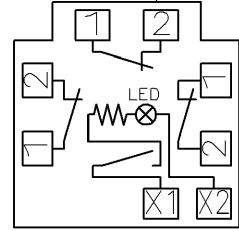
*The $3.2^{+0.2}$ recess is not necessary when neither nameplate nor anti-rotation ring is used.

Contact Configuration(Bottom View)

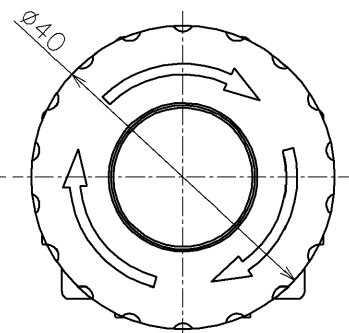
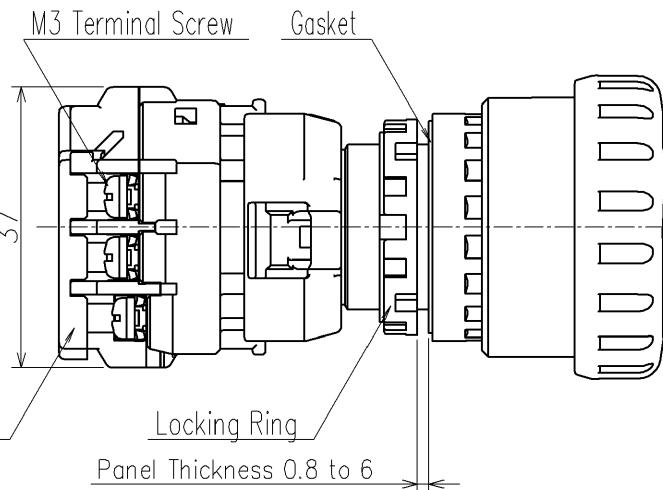
Monitor Contact
(1a Contact) Included
TOP Marking Side



Main Contact
(b Contact) Only
TOP Marking Side



Terminal Cover
XW9Z-VL2M



Product Name: XW SERIES EMERGENCY STOP SWITCH

Type Number: XW1E-TV4□□Q4MR

Approved by M.FUJIMOTO

2023/1/25

Dim.: mm

Outside View

Checked by Y.HANAOKA

2023/1/25

Drawing No. MA4-A04136C

Drawn by T.MATSUMOTO

2023/1/25